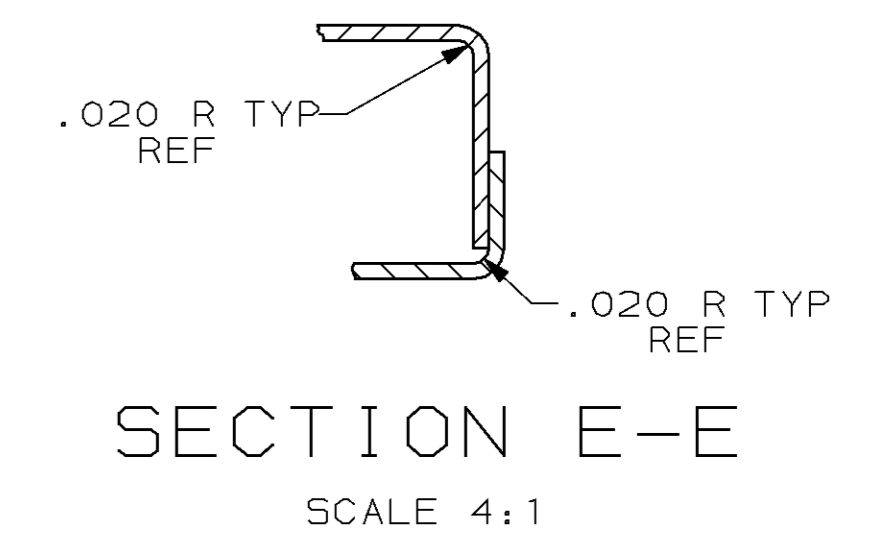
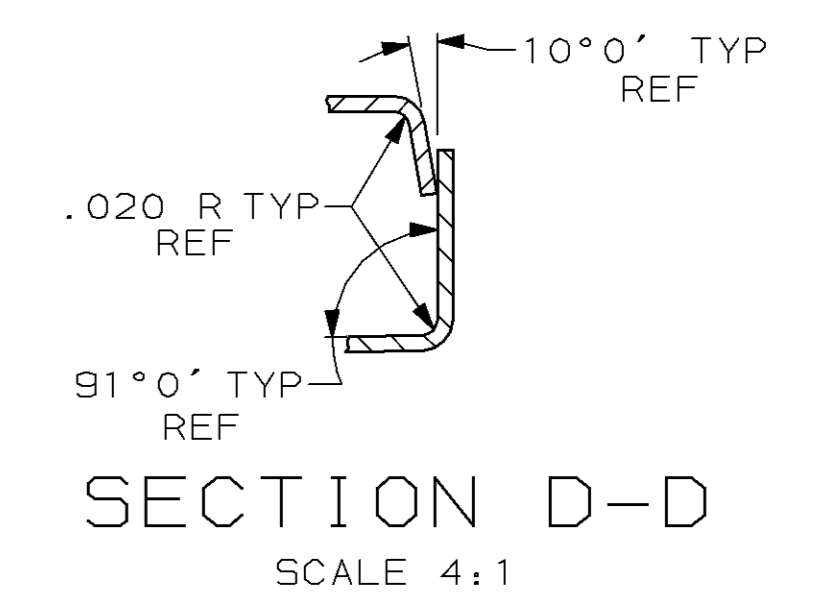
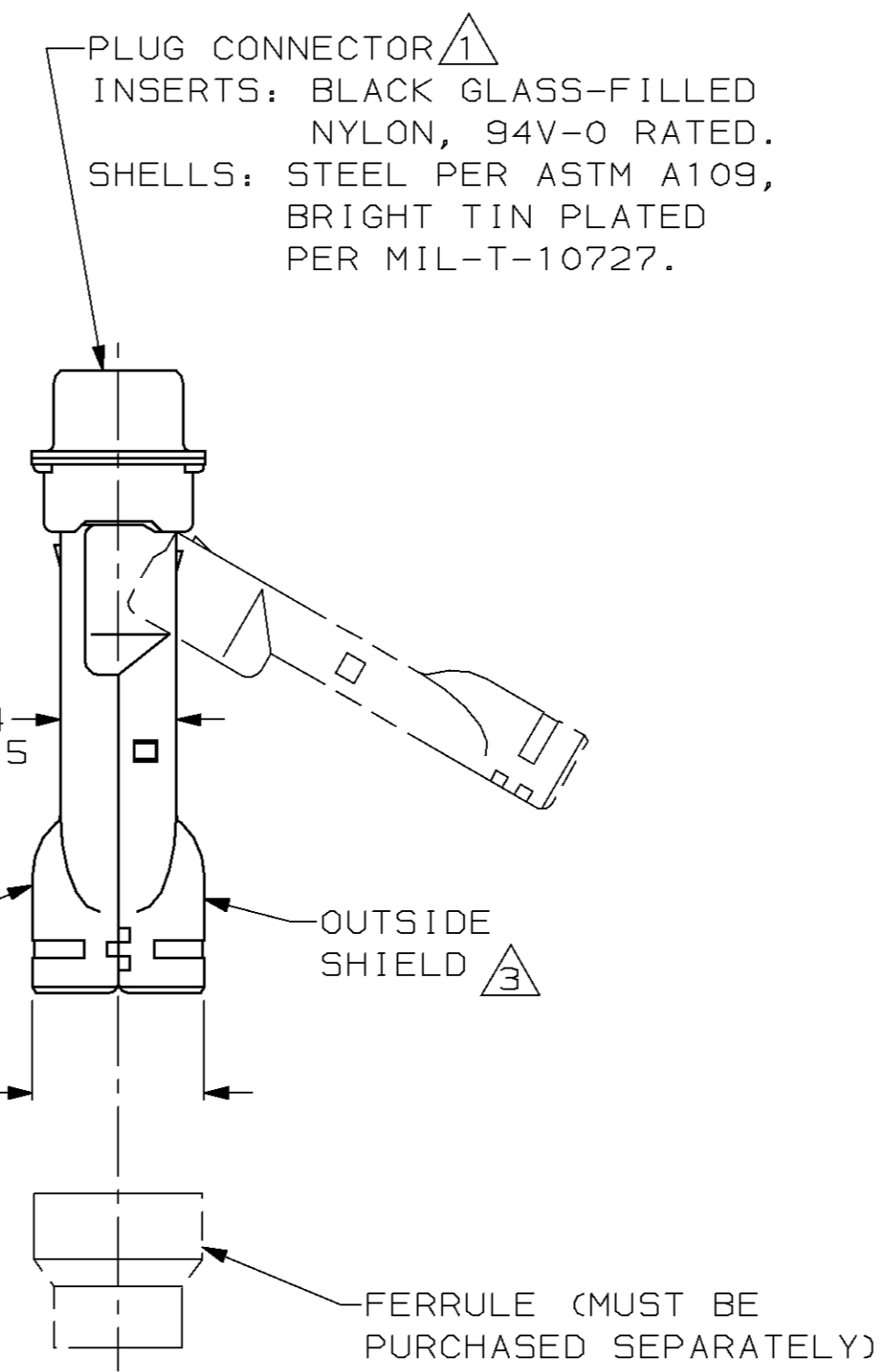
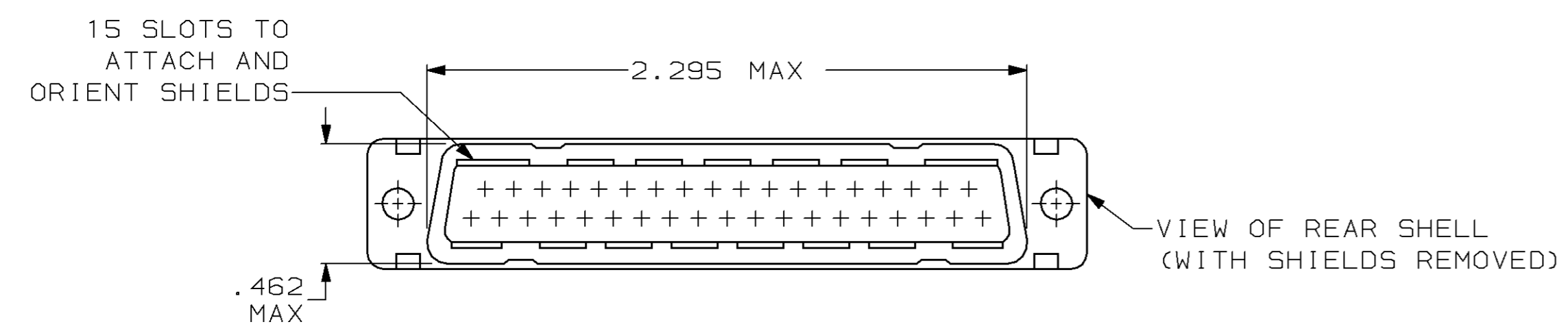
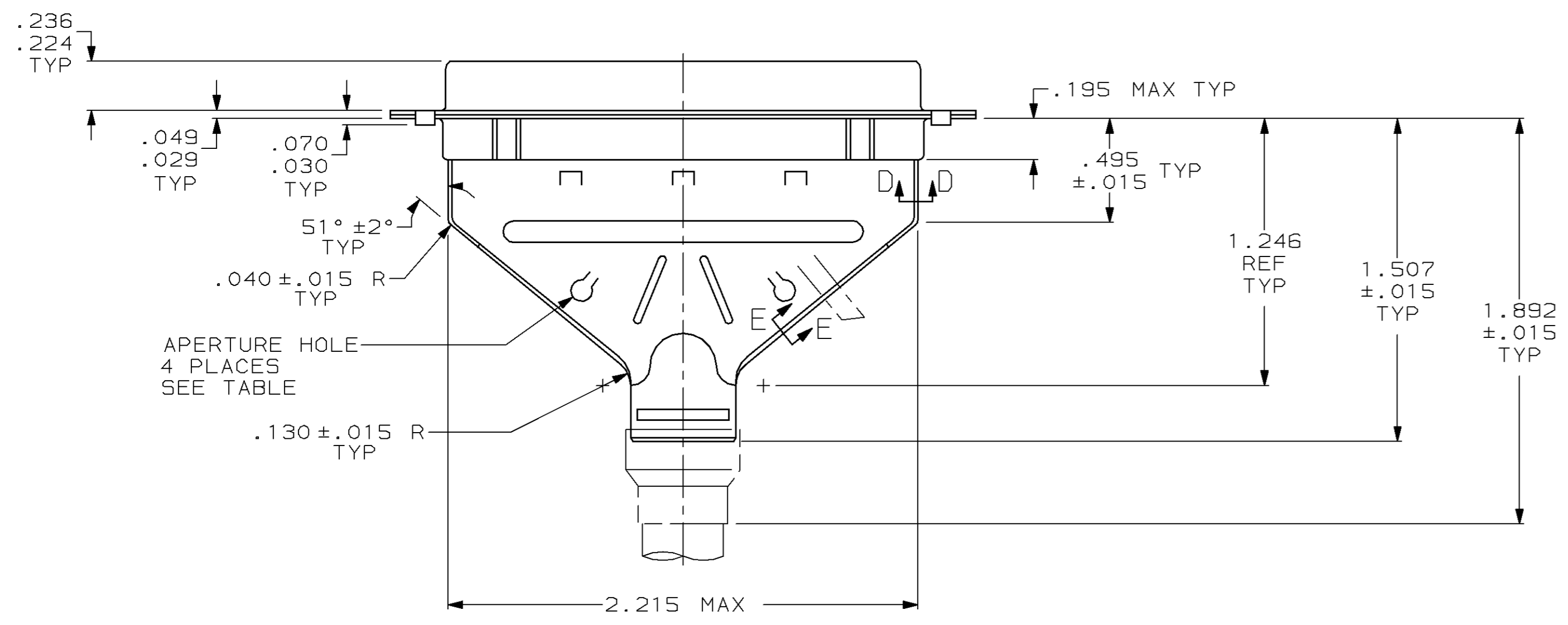
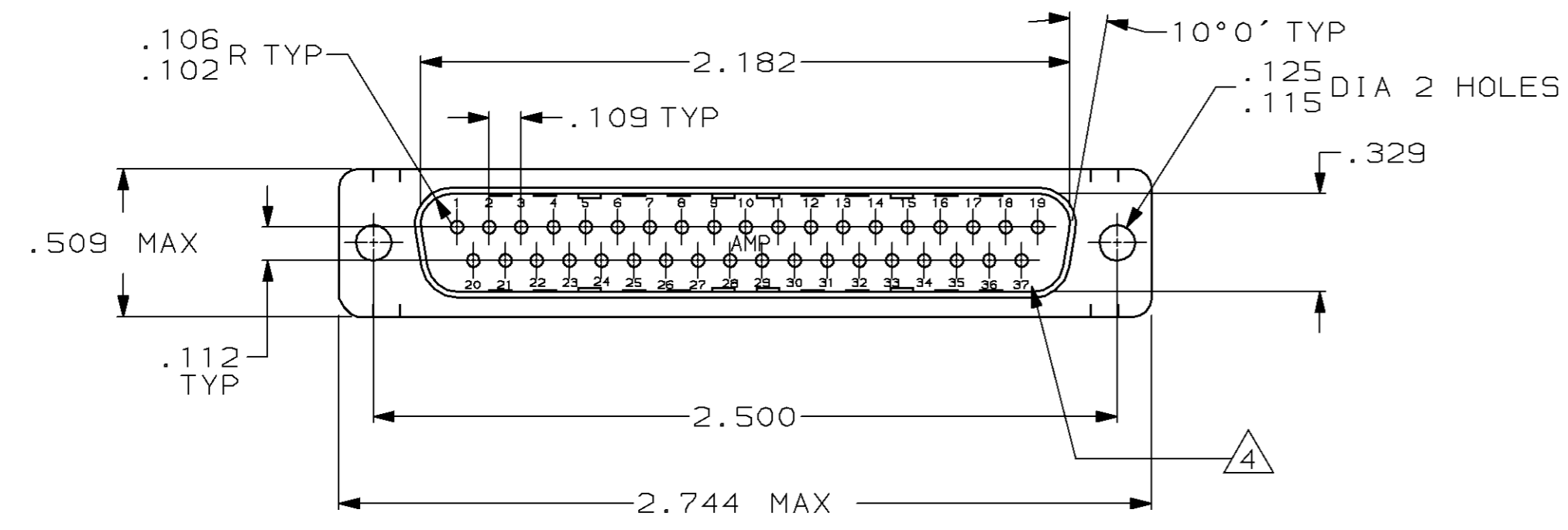


LOC	DIST	P	F	REVISIONS				
				ZONE	LTR	DESCRIPTION	DATE	APPD
BD	48			A		REDRAWN	5-31-90	-
				B		REV PER ECN BD4457	12/07/92	BT
				C		ADDED-2 NPR3889 WAS 91-5788-6-1	01/02/92	TMS
				D		OBS -2 PER ECN BD5856	01/17/92	TMS
				E		REACTIVATED -2 PER NPR 3975	02/14/92	TMS
				F		OBS -2 PER EC 0020-724-95	11 MAR 96	JCS



- 1. PLUG ACCEPTS SIZE 20 PIN CONTACTS (CONTACTS MUST BE ORDERED SEPARATELY).
- 2. ALL PARTS SHIPPED UNASSEMBLED, EACH PART INDIVIDUALLY BULK PACKED.
- 3. SHIELDS: MATERIAL-.020 THICK STEEL, TIN PLATED PER MIL-T-10727.
- 4. RAISED CAVITY IDENTIFICATION AND AMP TRADEMARK.

OBSOLETE	WITHOUT	747570-2
	WITH	747570-1
APERTURE HOLE		PART NUMBER

DO NOT SCALE PRINT. UNLESS SPECIFIED DIMENSIONS IN MILLIMETERS TOLERANCES ON:		DR 5-31-90 J. GALLUCCI BG		AMP INCORPORATED Harrisburg, Pa. 17105	
2 PLC DEC ± .005		CHK 8-31-90 J. McCLINTON			
3 ANGLES ± 0°30'		APPD 9-4-90 BOB TAYLOR		NAME	
SEE CALL OUT		APPD 9-4-90 J. ASSINI		KIT, PLUG, SHIELDING HARDWARE, SIZE 4, 37 POSN, HDP-20, AMPLIMITE™	
FINISH		APPLICATION SPEC		SIZE	FSCM NO
SEE CALL OUT		-		D	00779
WEIGHT		-		SCALE	DRAWING NO
-		-		2:1	747570
					SHEET
					1 OF 1